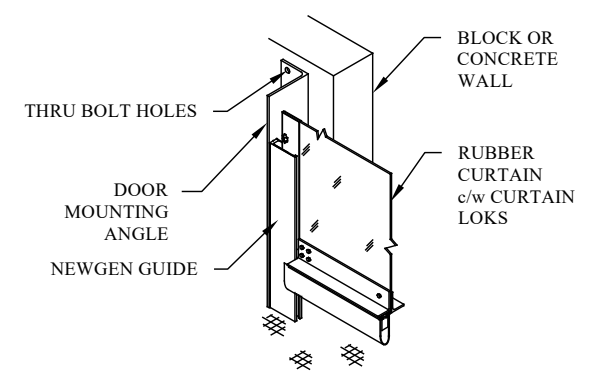


NEWGEN GUIDE AND CURTAIN LOK SYSTEM STEEL JAMB MOUNTING



NEWGEN GUIDE AND CURTAIN LOK SYSTEM CONCRETE WALL MOUNTING **

** CLEARANCE DIMENSION IS 12" FOR CONCRETE MOUNT CONFIGURATION
 *** OPTIONAL HOODS REQUIRE 14" & 18" SIDEROOM, 40" HEADROOM AND 38" OPERATOR PROTRUSION

TNR INDUSTRIAL DOORS INC.

SHOP DRAWING, MODEL HDL45, LEFT HAND

EXT. DETAIL: DOOR MOUNT OPERATOR & C'BAL SPRINGS

LIMITATIONS: [20'<OW<=25' & 20'<OH<=30'] OR [25'<OW<=30' & OH<= 20']

DATE DR'N: MAR. 21, 2006 REVISION: E - SEP. 29, 2020

DRAWN BY: BRYAN AWREY DRAWING No.: D-600-0029

ELECTRICAL CRITERIA:

CONTROL PANEL NEMA/EEMAC 4 STD. OR _____

PRIMARY POWER SUPPLY: _____ Volts, 3 Phase, 60 Hertz

OPERATOR CRITERIA: HG, HIGH EFFICIENCY HELICAL GEAR

LIMIT BOX NEMA/EEMAC 4 STD. OR _____

_____ HP, DOOR SPEED: OPEN & CLOSE @ _____ ips

END USER:

DEALER:

DOOR SIZE: SERIAL No.: TNR-

MECHANICAL OPTIONS	ELECTRICAL OPTIONS	STANDARD SYSTEM INCLUDES
<input type="checkbox"/> - GUIDE MOUNTED WINDBAR	<input type="checkbox"/> - RELAY LOGIC CONTROLS	- SPEEDS UP TO 20 IPS
<input checked="" type="checkbox"/> - JAMB MOUNTED WINDBAR	<input type="checkbox"/> - RELAY LOGIC c/w TIMER TO CLOSE	- NEMA 4, WALL MOUNTED CONTROL PANEL
<input type="checkbox"/> - GUIDE GUARDS	<input type="checkbox"/> - FUSED DISCONNECT	- NEMA 4 LIMIT BOX ON OPERATOR
<input type="checkbox"/> - *** EXTERIOR HOODS	<input type="checkbox"/> - LOOP DETECTOR	- 50,000 CYCLE COUNTERBALANCE SPRINGS
<input type="checkbox"/> - *** SAFETY CHAIN GUARDS	<input type="checkbox"/> - WIRELESS RECEIVER	- WIRELESS REVERSING EDGE
<input type="checkbox"/> - 16" x 16" WINDOWS, QTY. _____	<input type="checkbox"/> - WIRELESS TRANSMITTER, QTY. _____	- THRU-BEAM PHOTOSWITCH
<input type="checkbox"/> - BLUE EPDM CURTAIN	<input type="checkbox"/> - N 4X, PUSHBUTTON ST'N, QTY. _____	- 5" HIGH, BLACK EPDM RUBBER LOOP
<input type="checkbox"/> - GRAY EPDM CURTAIN	<input type="checkbox"/> - MOTION DETECTOR, QTY. _____	- KNOCK-AWAY STYLE BOTTOM BAR
<input type="checkbox"/> - 100,000 CYCLE SPRINGS	<input type="checkbox"/> - THRU-BEAM PHOTOSWITCH, QTY. _____	- NEWGEN GUIDE AND CURTAIN LOK SYSTEM
<input type="checkbox"/> -	<input type="checkbox"/> - REFLECTIVE PHOTOSWITCH, QTY. _____	- PROGRAMMABLE CONTROLLER (PLC)
<input type="checkbox"/> -	<input type="checkbox"/> -	- INTEGRATED TIMER TO CLOSE (ADJUSTABLE)
<input type="checkbox"/> -	<input type="checkbox"/> -	- CONTROL PANEL NON-FUSED DISCONNECT