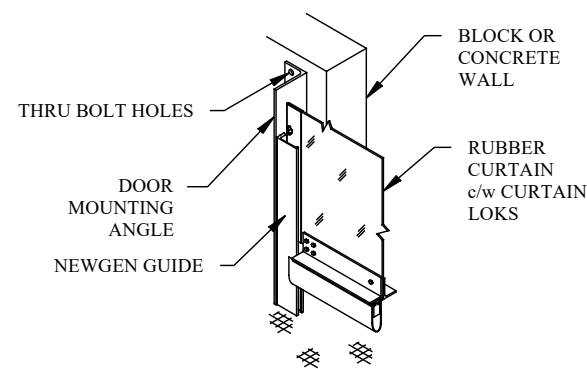
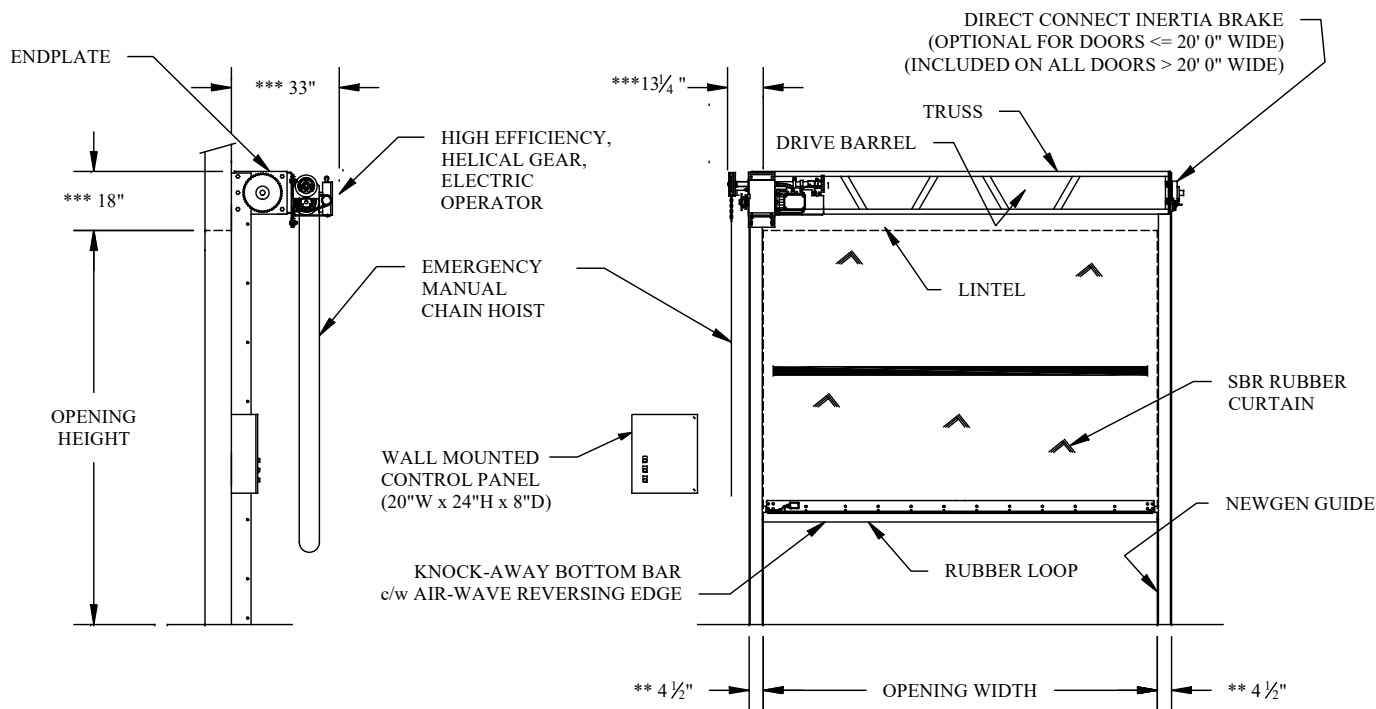


NEWGEN GUIDE AND CURTAIN LOK SYSTEM
STEEL JAMB MOUNTING



NEWGEN GUIDE AND CURTAIN LOK SYSTEM
CONCRETE WALL MOUNTING **

** CLEARANCE DIMENSION IS 8" FOR CONCRETE MOUNT CONFIGURATION
 *** OPTIONAL HOODS REQUIRE 10" & 16 1/2" SIDEROOM, 21" HEADROOM AND 37" OPERATOR PROTRUSION
 **** FOR OPTIONAL JAMB MOUNTED WINDBAR ADD 6" TO OPENING HEIGHT

TNR INDUSTRIAL DOORS INC.

SHOP DRAWING, MODEL HDP, LEFT HAND

EXT. DETAIL: DOOR MOUNT OPERATOR & INERTIA BRAKE	
LIMITATIONS: MAX. OPENING WIDTH 25', MAX. OPENING HEIGHT 10'	
DATE DR'N: SEPT. 29, 2008	REVISION: I - SEP. 29, 2020
DRAWN BY: RUSS BOWMAN	DRAWING No.: D-600-0044
ELECTRICAL CRITERIA: PLC & FREQUENCY INVERTER DRIVE	
CONTROL PANEL NEMA/EEMAC 4 STD. OR _____	
PRIMARY POWER SUPPLY: _____ Volts, 3 Phase, 60 Hertz	
OPERATOR CRITERIA: HG, HIGH EFFICIENCY HELICAL GEAR	
LIMIT BOX NEMA/EEMAC 4 STD. OR _____	
_____ HP, DOOR SPEED: OPEN UP TO @ _____ ips, CLOSE UP TO @ _____ ips	
END USER:	
DEALER:	
DOOR SIZE:	SERIAL No.: TNR-

MECHANICAL OPTIONS	ELECTRICAL OPTIONS	STANDARD SYSTEM INCLUDES
<input type="checkbox"/> - GUIDE MOUNTED WINDBAR	<input type="checkbox"/> - FUSED DISCONNECT	- SPEEDS UP TO 30 IPS OPEN, 12 IPS CLOSE
<input type="checkbox"/> - **** JAMB MOUNTED WINDBAR	<input type="checkbox"/> - LOOP DETECTOR	- TIMER TO CLOSE (USER SELECT)
<input type="checkbox"/> - GUIDE GUARDS	<input type="checkbox"/> - WIRELESS RECEIVER	- NEMA 4 CONTROL PANEL & LIMIT BOX
<input type="checkbox"/> - *** EXTERIOR HOODS	<input type="checkbox"/> - WIRELESS TRANSMITTER, QTY. _____	- DIRECT CONNECT INERTIA BRAKE (OPTIONAL FOR DOORS <= 20' 0" WIDE) (INCLUDED ON ALL DOORS > 20' 0" WIDE)
<input type="checkbox"/> - *** SAFETY CHAIN GUARDS	<input type="checkbox"/> - N 4X, PUSHBUTTON ST'N, QTY. _____	- WIRELESS REVERSING EDGE
<input type="checkbox"/> - 16" x 16" WINDOWS, QTY. _____	<input type="checkbox"/> - MOTION DETECTOR, QTY. _____	- THRU-BEAM PHOTOEYE
<input type="checkbox"/> - BLUE EPDM CURTAIN	<input type="checkbox"/> - ADD. THRU-BEAM PHOTOEYE, QTY. _____	- 3" HIGH, BLACK EPDM RUBBER LOOP
<input type="checkbox"/> - GRAY EPDM CURTAIN	<input type="checkbox"/> - ADD. REFLECTIVE PHOTOEYE, QTY. _____	- KNOCK-AWAY STYLE BOTTOM BAR
<input type="checkbox"/> - OPTIONAL DIRECT CONNECT INERTIA BRAKE FOR DOORS <= 20' 0" WIDE	<input type="checkbox"/> - REVERSE CHAIN HOIST ON OPERATOR.	- NEWGEN GUIDE AND CURTAIN LOK SYSTEM
<input type="checkbox"/> -	<input type="checkbox"/> -	- PROGRAMMABLE VFD CONTROLLER
<input type="checkbox"/> -	<input type="checkbox"/> -	- CONTROL PANEL NON-FUSED DISCONNECT