

The PRO-EJ is designed for use on commercial/industrial sectional doors with high or vertical lift track and small rolling grilles

Date: _____
 Page: ____ of _____
 Drawing No. _____
 Project: _____
 Architect/Engineer: _____
 Contractor: _____
 Customer: _____



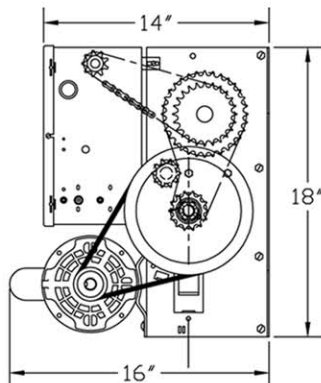
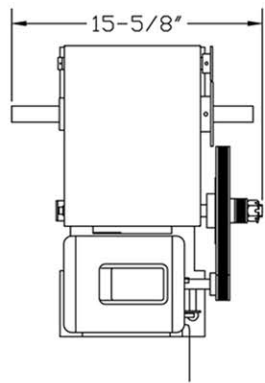
FULL LOAD AMP RATING CHART

Voltage	1/3HP	1/2HP
115 V - 1 ϕ - 60 Hz	7.9	8.5
230 V - 1 ϕ - 60 Hz	3.9	4.2
230 V - 1 ϕ - 50 Hz	3.1	3.1
208/230 V - 3 ϕ - 60 Hz	2.1	2.1
380 V - 3 ϕ - 50 Hz	1.1	1.1
460 V - 3 ϕ - 60 Hz	1.1	1.1
575 V - 3 ϕ - 60 Hz	1.0	1.0

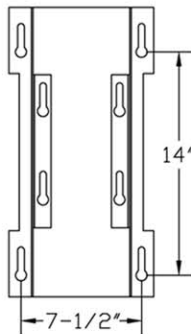
Number of Operators: _____
 Horsepower: _____
 Volts: _____
 Phase: _____
 Hertz: _____
 Type of Door: _____
 Door Width/Height: ___ W x ___ H
 Operator Nema Rating: _____
 OPEN/CLOSE/STOP Control Stations: ___

Control wiring option: _____

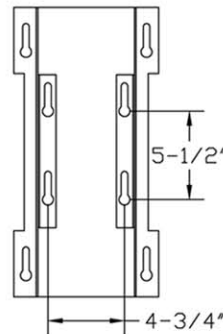
- A** Relay Logic w/ interface module (monitored reversing device supplied)
- B** Relay logic (*not available in US or other areas where UL 325 2010 is mandated*)



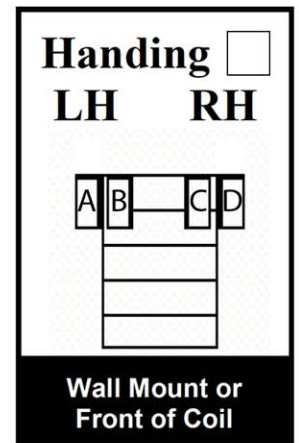
WALL MOUNT



BRACKET MOUNT



A, B, C or D



Additional Equipment or Options

For technical support, please call 1-877-888-1116